



UR75 Ultra Series High-Performance 5G Industrial Router



APPLICATIONS

- SMART GRID
- DIGITAL MEDIA INSTALLATIONS
- INDUSTRIAL AUTOMATION
- FINANCE
- ENVIRONMENT PROTECTION
- TELEMETRY EQUIPMENT
- MEDICAL DEVICE
- DIGITAL FACTORY
- PAYMENT DEVICE
- WATER CONSERVANCY

1/5

FEATURES

QUALCOMM QUAD-CORE CPU

SSD is available to support further development and customize requirements

GIGABIT ETHERNET PORTS

for lightning transmission of data

QUICKLY DEVELOP FUNCTIONS

with Function Compute and deploy them seamlessly to edge nodes

SECURE TRANSMISSION WITH VPN TUNNELS

s like IPsec/OpenVPN/GRE/L2TP/PPTP/DMVPN

- LINK REMOTE DEVICES in an environment where communication technologies are constantly changing
- RUGGED ENCLOSURE, OPTIMIZED for DIN rail or shelf mounting
- WEB GUI AND CLI simple management and quick configuration among a large quantity of devices
- EFFICIENTLY MANAGE THE REMOTE ROUTERS on the existing platform through the industrial standard SNMP



UR75 Ultra Series High-Performance 5G Industrial Router

SPECIFICATIONS

Hardware System

CPU	Qualcomm Quad-core ARM Cortex-A7, 716.8 MHz
Memory	512 MB DDR3 RAM and 8 GB Flash
Extendable Storage	1 × M.2 NVMe SSD Interface

Cellular Interface

Antenna	UR75-5G: 4 × 50 Ω SMA Connectors (Center PIN: SMA Female) UR75-4G: 2 × 50 Ω SMA Connectors (Center PIN: SMA Female)
SIM Slot	2 (Mini SIM-2FF)

Ethernet Interface

Numbers	5 × 10/100/1000 Mbps
Property	1 × WAN +4 × LAN
Mode	Full or half duplex (Auto-Sensing)
PoE	4 × 802.3 af/at PoE PSE on LAN Ports (Optional)

2/5

Wi-Fi Interface

Antenna	2 × 50 Ω SMA Connectors (Center PIN: RP-SMA Female)
Standards	IEEE 802.11 b/g/n, 2.4 GHz IEEE 802.11 a/n/ac, 5 GHz
Tx Power	2.4G: 26dBm(max) 5G: 26.4dBm(max)

Rx Sensitivity

2.4 GHz	802.11b: ≤ -92dBm@11Mbps 802.11g: ≤ -78dBm@54Mbps 802.11ac VHT20: ≤ -91dBm@MCS0 802.11ac VHT20: ≤ -66dBm@MCS8 802.11ac VHT40: ≤ -88.5dBm@MCS0 802.11ac VHT40: ≤ -64dBm@MCS8
5 GHz	802.11a: ≤ -91dBm@6Mbps 802.11a: ≤ -76dBm@54Mbps



UR75 Ultra Series High-Performance 5G Industrial Router

	802.11ac VHT20: $\leq -90\text{dBm@MCS0}$
	802.11ac VHT20: $\leq -68\text{dBm@MCS8}$
	802.11ac VHT40: $\leq -87\text{dBm@MCS0}$
	802.11ac VHT40: $\leq -65\text{dBm@MCS9}$
	802.11ac VHT80: $\leq -84\text{dBm@MCS0}$
	802.11ac VHT80: $\leq -60\text{dBm@MCS9}$
Modes	AP and Client mode
Security	WPA/WPA2 authentication, WEP/TKIP/AES encryption

GPS

Antenna	1 × 50 Ω SMA Connector (Center PIN: SMA Female)
Technology	GPS/GLONASS/Beidou/Galileo/QZSS

Serial Interface

Numbers	1 × RS232 + 1 × RS485 (2 × RS485 Optional)
Connector	3.5mm Terminal Block
Baud Rate	300bps to 230400bps

3/5

DI/DO

Numbers	1 × DI (dry contact) + 1 × DO (wet contact), Galvanic Isolation
Connector	3.5 mm Terminal Block
Maximum V/A	0.3A@30VDC (DO)

Others

Reset Button	1 × RESET
USB	1 × USB 2.0 (Reserved)
LED Indicators	1 × STATUS, 1 × Cellular Network
Built-in	Watchdog, Timer

Software

Network Protocols	IPv4/IPv6, PPP, PPPoE, SNMP v1/v2c/v3, TCP, UDP, DHCP, RIPv1/v2, OSPF, DDNS, VRRP, HTTP, HTTPS, DNS, ARP, QOS, SNTP, Telnet, VLAN, SSH, etc
VPN	DMVPN, IPsec, OpenVPN, PPTP, L2TP, GRE



UR75 Ultra Series High-Performance 5G Industrial Router

Management	Web, CLI, SMS, On-demand dial up, SNMP v1/v2/v3, DeviceHub
AAA	Radius, Tacacs+, LDAP, Local Authentication
Multilevel Authority	Multiple Levels of User Authority
Reliability	VRRP, WAN Failover, Dual SIM Backup
Serial Port	Transparent (TCP Client/Server, UDP), Modbus Master/Slave, Modbus Gateway (Modbus RTU to Modbus TCP)
Security	Access Control, DMZ, Port Mapping, MAC Binding, SPI Firewalls, DoS&DDoS Protection, Filtering(IP&Domain), IP Passthrough

Power Supply and Consumption

Power Connector	2-pin 5.08 mm Terminal Block
Input Voltage	9-48 VDC, with Surge-Protection and Reverse Polarity Protection
Power Consumption	≤ 7.9W (In Non-PoE mode)

Physical Characteristics

Ingress Protection	IP30
Housing	Metal
Dimension	135 x 118 x 45 mm (5.31 x 4.65 x 1.77 in)
Installation	Desktop, Wall or DIN Rail Mounting

4/5

Environmental

Operating Temperature	40°C to +70°C (-40°F to +158°F) Reduced Cellular Performance Above 60°C
Storage Temperature	-40°C to +85°C (-40°F to +185°F)
Ethernet Isolation	1.5 kV RMS
Relative Humidity	0% to 95% (Non-condensing) at 25°C/77°F

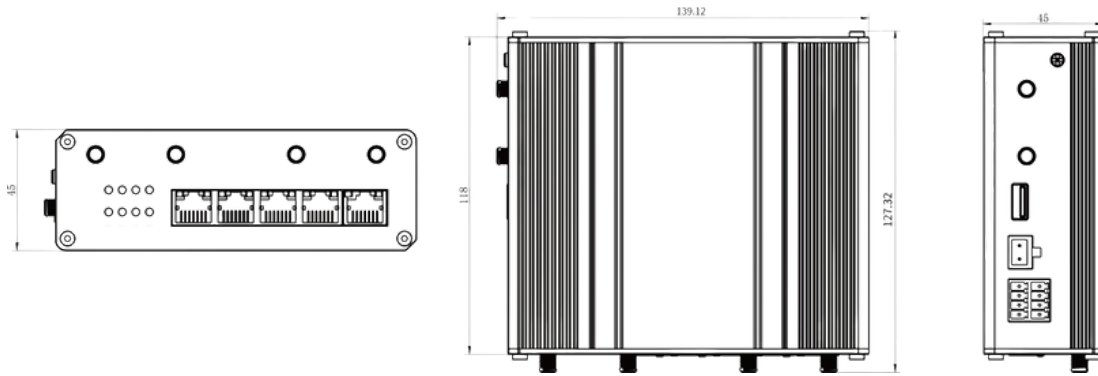
Approval

Regulatory	RoHS, CCC
------------	-----------



UR75 Ultra Series High-Performance 5G Industrial Router

DIMENSIONS (MM)



SCHEMATIC DIAGRAM

Public Application

