



5G AI 4X/12X Pro Bullet Plus Network Camera



1/5

FEATURES

SMART IR II

combination of high beam + Low beam to adjust IR intensity to fit different lighting conditions

P2P

remotely access the camera via P2P with hassle-free setup & easy connection

100FPS HIGH FRAME RATE

easier for camera to catch images with no latency despite swift movement

256G

compatible with ultra-large external microSD/SDHC/SDXC card storage up to 256G

- **HIGH LIGHT COMPENSATION**
improving image visibility under strong light sources
- **DEFOG**
restoring clear images in hazy & foggy weather
- **INTEGRATED CABLE MANAGEMENT**
power interface + PoE port + other interfaces in the base neatly
- **SMART STREAM**
bandwidth, storage & bit rate are saved with Smart Stream On, eg, H.265 saves 70 - 80% bandwidth that of H.264



5G AI 4X/12X Pro Bullet Plus Network Camera

SPECIFICATIONS

Camera

Model	MS-C2966-X12R(T)GPC (2MP)	MS-C8266-X4GPC(4K)
Image Sensor	1/2.8" Progressive Scan CMOS	1/1.8" Progressive Scan CMOS
Min. Illumination	Color: 0.005Lux@F1.6 B/W: 0Lux with IR on	Color: 0.009Lux@F1.6 B/W: 0Lux with IR on
WDR	140dB Super WDR (Super WDR Pro is optional for T Series)	120dB Super WDR
Shutter Time	1/100000s~1s	
IR Distance	Up to 180m	
Day/Night Mode	Day/Night/Auto/Customize/Schedule	
S/N	>55dB	
Lens	5.3~64mm, 12X Optical Zoom	8~32mm, 4X Optical Zoom
Field of View	H61°~H5°/D69°~D5°/V36°~V2°	H44°~H13°/D51°~D15°/V25°~V7°
Mount	Φ14	
Focus Control	Auto/Manual	
Aperture	F1.6~F2.8	F1.6-F1.7
Iris Control	Auto	

Video

Model	MS-C2966-X12R(T)GPC (2MP)	MS-C8266-X4GPC(4K)
Max. Image Resolution	1920x1080	3840x2160
Primary Stream	60Hz: 100fps@(1920x1080)(Optional for T Series), 60fps @(1920x1080, 1280x960, 1280x720, 704x576) 50Hz: 100fps@(1920x1080)(Optional for T Series), 50fps @(1920x1080, 1280x960, 1280x720, 704x576)	60Hz: 30fps@(3840x2160, 3072x2048, 2592x1944, 2592x1520, 2048x1536, 1920x1080, 1280x960, 1280x720, 704x576) 50Hz: 25fps@(3840x2160, 3072x2048, 2592x1944, 2592x1520, 2048x1536, 1920x1080, 1280x960, 1280x720, 704x576)
Secondary Stream	60Hz: 60fps@(704x576, 640x480, 640x360, 352x288, 320x240, 320x192, 320x180) 50Hz: 50fps@(704x576, 640x480, 640x360, 352x288, 320x240, 320x192, 320x180)	60Hz: 30fps@(704x576, 640x480, 640x360, 352x288, 320x240, 320x192, 320x180) 50Hz: 25fps@(704x576, 640x480, 640x360, 352x288, 320x240, 320x192, 320x180)
Tertiary Stream	60Hz: 30fps@(1920x1080, 1280x720, 704x576, 640x480, 640x360, 320x240, 320x192, 320x180) 50Hz: 25fps@(1920x1080, 1280x720, 704x576, 640x480, 640x360, 320x240, 320x192, 320x180)	



5G AI 4X/12X Pro Bullet Plus Network Camera

Video Compression	H.265 +/H.265(HEVC)/H.264 +/H.264/MJPEG
Video Bit Rate	16Kbps~16Mbps(CBR/VBR Adjustable)
Privacy Masking	Up to 28 areas(24 mask areas and 4 mosaic areas)
ROI	Up to 8 areas
Image Setting	Brightness/Contrast/Saturation/Sharpness

Interface

Model	MS-C2966-X12R(T)GPC (2MP)	MS-C8266-X4GPC(4K)
Ethernet	1*RJ45 10M/100M Ethernet Port	
Audio I/O	1/1	
Alarm I/O	1/1	

Mobile Communication Parameter

Model	MS-C2966-X12R(T)GPC (2MP)	MS-C8266-X4GPC(4K)
Wireless Communication	Support 5G/4G/3G	
Frequency Bands	5G NR	n1/n2/n3/n5/n7/n8/n12/n20/n28/n41/n66/n71/n77/n78/n79
	LTE-FDD	B1/B2/B3/B4/B5/B7/B8/B9/B12/B13/B14/B17/B18/B19/B20/B21(TBD)/B25/B26/B28/B29/B30/B32/B66/B71
	LTE-TDD	B34/B38/39/B40/B41/B42/B48
	LAA	B46
	WCDMA	B1/B2/B3/B4/B5/B6/B8/B19
Wireless Transmission Speed	GNSS	GPS/GLONASS/BeiDou/Galileo
	SA	DL 3.3Gbps; UL 250Mbps
	NSA	DL 3.4Gbps; UL 200Mbps
	LTE	DL 2.0Gbps; UL 150Mbps
	WCDMA	DL 42Mbps; UL 5.76Mbps
SIM Card	Nano SIM	

Network

Model	MS-C2966-X12R(T)GPC (2MP)	MS-C8266-X4GPC(4K)
Network Storage	NAS(Support NFS, SMB/CIFS), ANR	
Protocol	IPv4/IPv6, ARP, TCP, UDP, RTCP, RTP, RTSP, RTMP, HTTP, HTTPS, DNS, DDNS, DHCP, FTP, NTP, SMTP,SNMP,UPnP, Bonjour, SIP, PPPoE, VLAN, 802.1x, QoS, IGMP, ICMP, SSL	



5G AI 4X/12X Pro Bullet Plus Network Camera

Audio

Model	MS-C2966-X12R(T)GPC (2MP)	MS-C8266-X4GPC(4K)
Audio Compression	G.711/AAC/G.722/G.726	
Audio Sampling Rate	8/16/32/44.1/48KHz	
Audio Bit Rate	16~256kbps	
Two-way Audio	Support	

Intelligent Analytics

Model	MS-C2966-X12R(T)GPC (2MP)	MS-C8266-X4GPC(4K)
Video Analysis	Region Entrance, Region Exiting, Advanced Motion Detection, Tamper Detection, Line Crossing, Loitering, Object Left, Object Removed	
Face Detection	Detect and capture faces, get real-time snapshots	
People Counting & Report	Count the number of people entering or exiting, up to 4 detection areas for regional people counting	

System

4/5

Model	MS-C2966-X12R(T)GPC (2MP)	MS-C8266-X4GPC(4K)
Storage	Support microSD/SDHC/SDXC Card Local Storage, up to 256G	
Advanced Function	Heat Map, BLC, HLC, 2D DNR, 3D DNR, Defog, AWB, EIS, IP Address Filtering, AGC, Anti-flicker, Corridor Mode, Deblur, Watermark	
SIP/VoIP Support	Yes, Voice & Video-over-IP	
Event Trigger	Motion Detection, Network Disconnection, External Input, Audio Alarm, etc	
Event Action	FTP Upload, SMTP Upload, SD Card Record, External Output, SIP Phone, HTTP Notification, etc	
System Compatibility	ONVIF Profile G & Q & S & T, API	

General

Model	MS-C2966-X12R(T)GPC (2MP)	MS-C8266-X4GPC(4K)
Working Temperature	-40°C~60°C	
Working Humidity	0~90%(Non-condensing)	
Power Supply	PoE (802.3at) / DC 12V±10%	
Power Consumption	0~90%(Non-condensing)	
Power Consumption	8W MAX 16W MAX (With IR on)	8W MAX 17W MAX (WithIRon)



5G AI 4X/12X Pro Bullet Plus Network Camera

Surge Protection

4KV

Weather Proof

Up to IP67-rated for Weather-resistant Performance (Only for camera body)

Weight

1608g

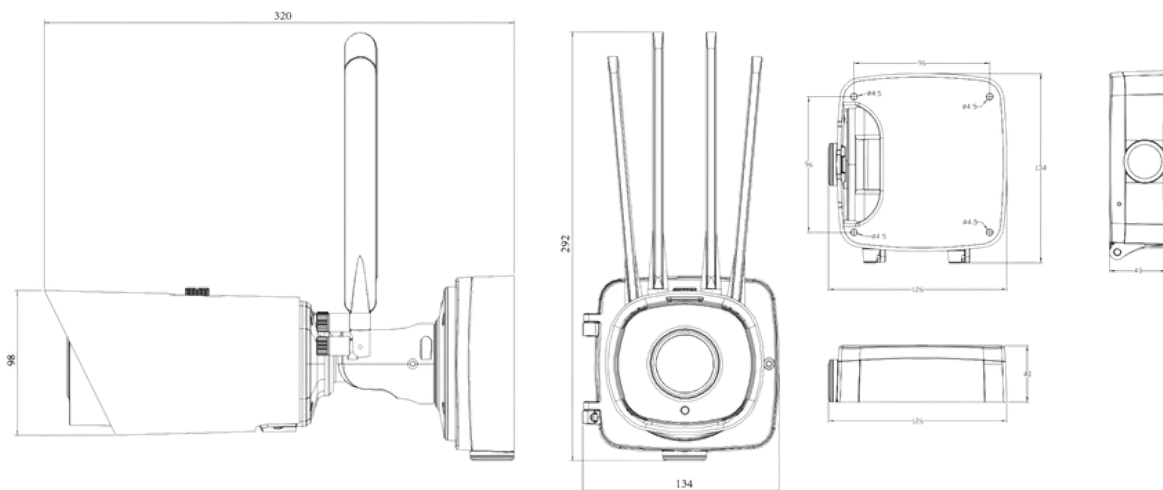
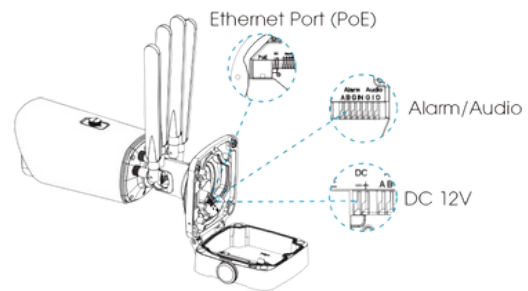
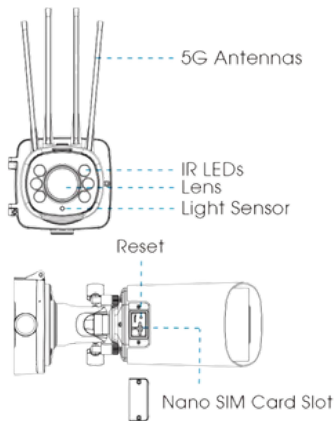
Dimensions

320mmX134mmX126mm
320mmX134mmX292mm (With 5G Antennas)

Warranty

3/5 Years

DIMENSIONS (MM)



5/5

017 299 6500

C-8-2, Blok C, Setia Walk, Persiaran Wawasan,
Pusat Bandar Puchong, 47160 Puchong, Selangor,
Malaysia.

info@ipsec.com.my

<https://www.ipsec.com.my>