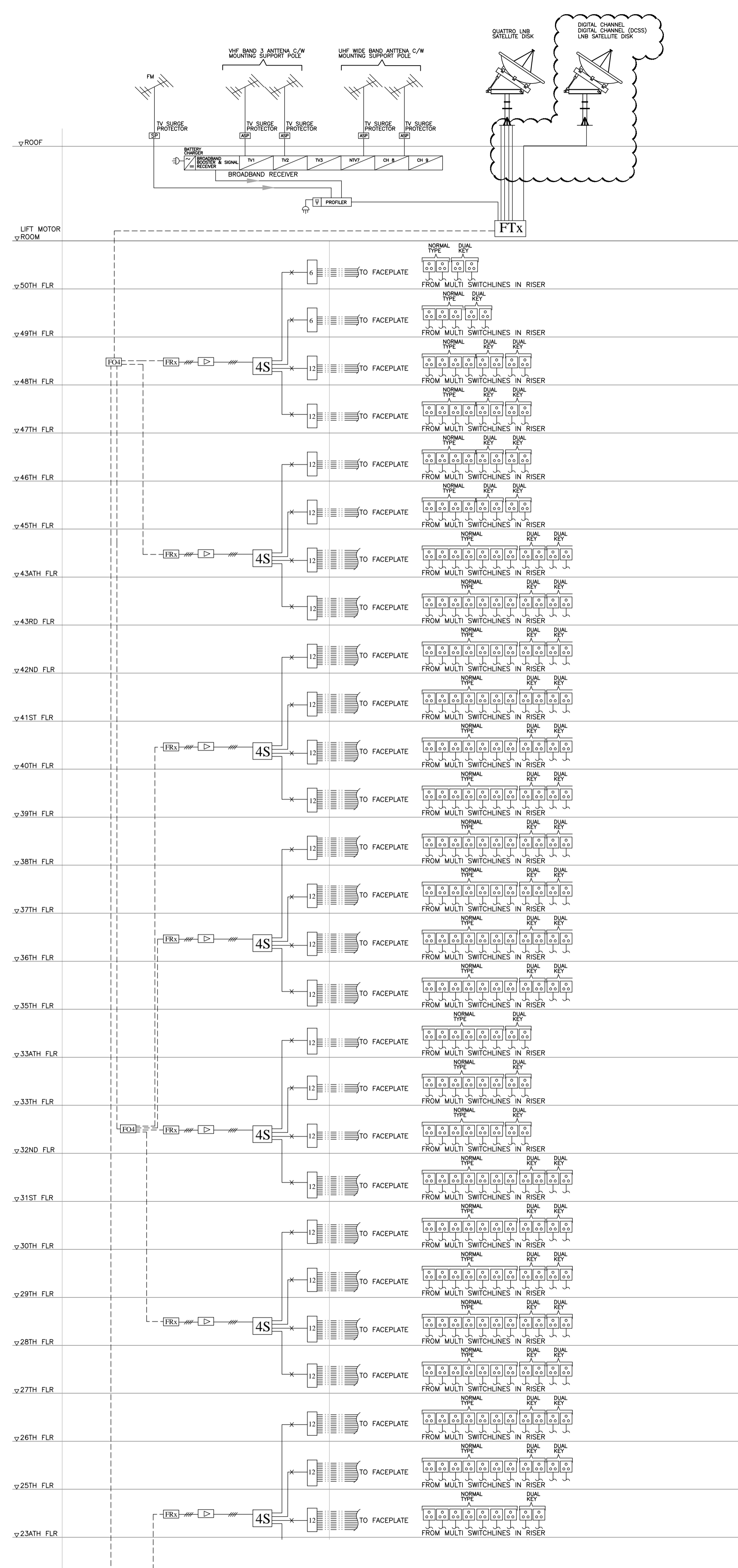
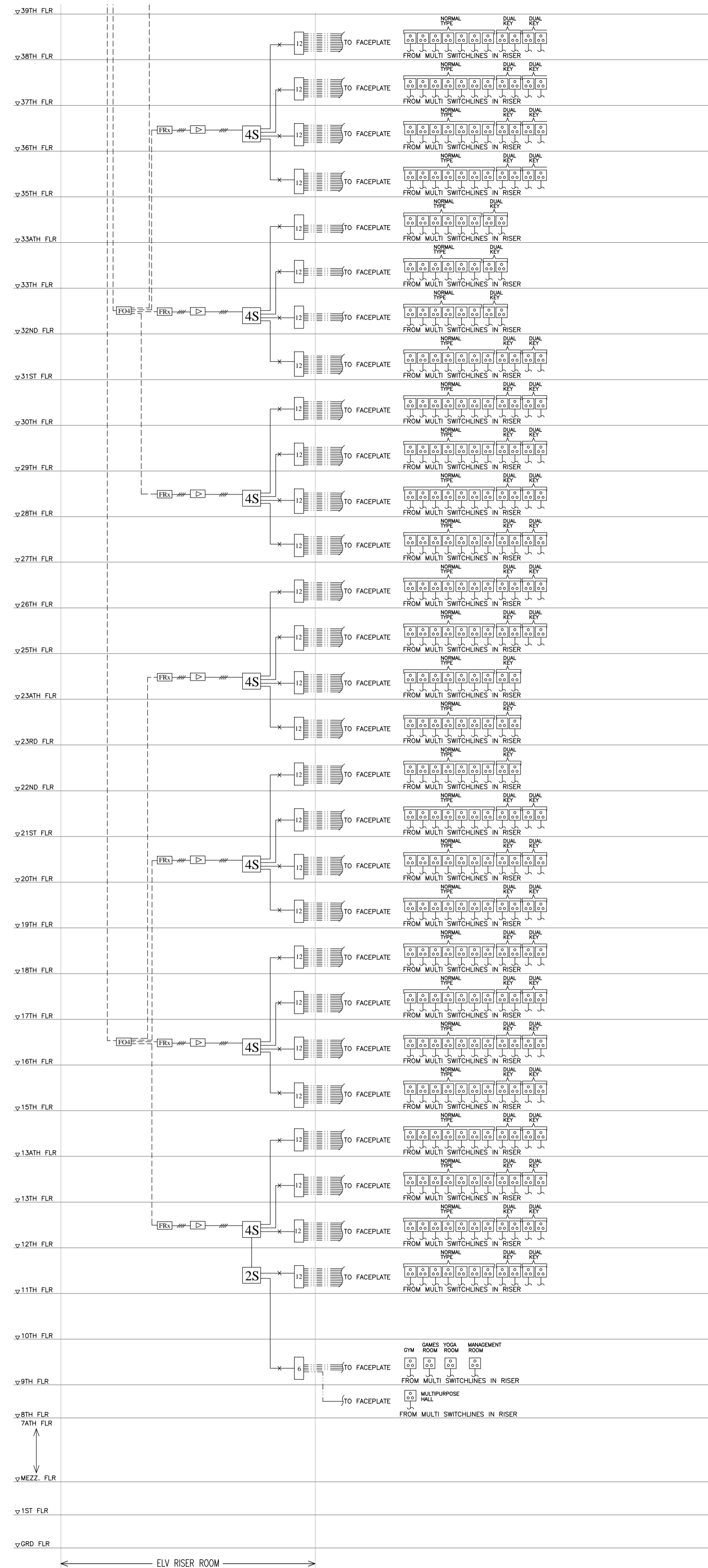


SHOP DRAWING



LEGEND:

- FTx** SATELLITE SYSTEM FIBER OPTIC TRANSMITTER
- FRx** SATELLITE SYSTEM FIBER OPTIC RECEIVER
- FO2** SATELLITE SYSTEM FIBER OPTIC SPLITTER (2 WAYS)
- FO4** SATELLITE SYSTEM FIBER OPTIC SPLITTER (4 WAYS)
- [>]** SATELLITE SYSTEM SWITCHLINE AMPLIFIER (FOR DIGITAL & RF ANALOG SIGNAL)
- [4 6 8 / 12 16 24 / 32]** SATELLITE SYSTEM CASCADABLE RANGE MULTISWITCHES WITH 5 INPUTS (4 SAT & 1 TV) AND OUTPUT AS PER SPECIFY PRODUCT RANGE 4 6 8 12 16 24 AND 32 (INDICATED NUMBER 'S WITH CORRESPONDING NUMBER OF OUTPUTS FOR MULTISWITCHES)
- [2S 4S]** SATELLITE SYSTEM 2 WAY & 4 WAY SWITCHLINE SPLITTER
- [O]** 3 GANG FACEPLATE (SAT , TV & FM) OUTLET C/W INTERNAL SPLITTER , INTERNAL LOOPING CABLING BETWEEN SAT , TV & FM OUTLET AND COMPLY TO SATELITE HD BEYOND SYSTEM
- 2 CORE INDOOR FIBER OPTIC CABLE
- x- 1 NO. RG 6 COAXIAL CABLE
- x- 5 NOS. RG 6 COAXIAL CABLE
- //// 4 NOS. RG 6 COAXIAL CABLE
- - - - 1 NO RG 6 COAXIAL CABLE FROM SWITCHLINE TO APARTMENT UNIT SMATV SOCKET OUTLET IN PARALLEL CONNECTION

NOTE :

- ALL CABLING RUN BEYOND RISER ROOM SHALL BE IN CONCEALED uPVC CONDUIT
- ENTIRE SMATV SYSTEM CABLING, EQUIPMENT, FACEPLATE, ETC SHALL BE CATER FOR ASTRO HD BEYOND SYSTEM

SMATV SCHEMATIC DIAGRAM

R3		
R2		
R1		

REVISION	DESCRIPTION	DATE
----------	-------------	------

ARCHITECT

M&E CONSULTANT'S :

MAIN CONTRACTOR :

ELV CONTRACTOR :
IPSEC ENGINEERING SDN BHD
 SUITE C-7-2, SETIA WALK, PERSIARAN WAWASAN,
 PUSAT BANDAR PUCHONG, 47160 PUCHONG, SELANGOR.
 TEL: 03-5879 0671 FAX: 03-5879 0672

PROJECT :

TITLE:

DRAWING NO.	REV. 0
-------------	--------

SCALE:	DATE:
--------	-------

DRAWN BY:	CHECKED BY:
-----------	-------------

APPROVED BY: